

MRL Passenger Elevator

Hoistway Structure

Concrete Brick & Concrete Other

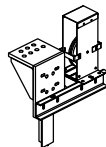
Unstandard Standard

NOTE

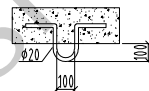
Technical Requirement:

| | | | | | | | |
|---------|--|-----|---------------------|------------|-------------------------|-----------|-----------|
| HW | HOISTWAY WIDTH | CW | CAR INSIDE WIDTH | Type | TKJW 450 / 1.0 -VF | | |
| HD | HOISTWAY DEPTH | CD | CAR INSIDE DEPTH | F/P/D | 4 / 4 / 4 | Door type | Side open |
| OP | DOOR OPENING WIDTH | CH | CAR HEIGHT | load | 450 kg | speed | 1.0 m/s |
| ROP | WALL OPENING WIDTH | MRW | MACHINE ROOM WIDTH | Machine | MONA 320 | Roping | 2:1 |
| OPH | DOOR OPENING HEIGHT | MRD | MACHINE ROOM DEPTH | T/sheave | φ 320 | D/sheave | φ |
| OH | OVERHEAD HEIGHT | MRH | MACHINE ROOM HEIGHT | car sheave | φ 320 | CW sheave | φ 320 |
| CAR DBG | DISTANCE BETWEEN CAR GUIDE RAILS | | | Shaft | HW 1600 mm x HD 1600 mm | | |
| CWT DBG | DISTANCE BETWEEN COUNTERWEIGHT GUIDE RAILS | | | Cabin | CW 950 mm x CD 1150 mm | | |
| | | | | Door | OP 800 mm x OPH 2100 mm | | |

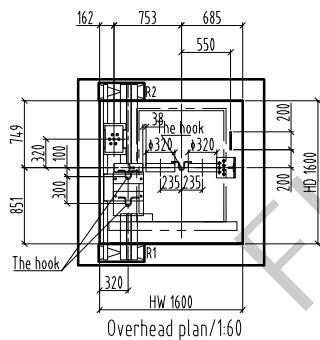
Compact type



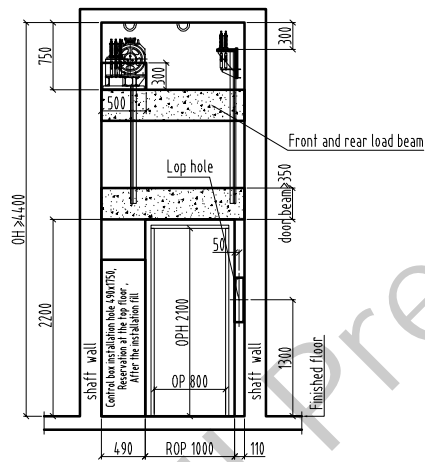
Speed limiter base detail



The hook



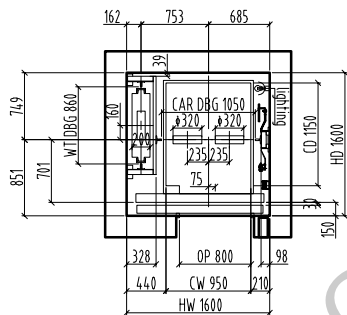
Overhead plan/1:60



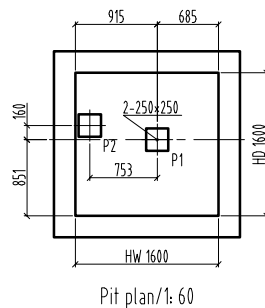
E/reserved hole/1:60

Bottom box Lop: 100x500 (base station) 100x400 (remaining stations)
No bottom box Lop hole: φ50 hole

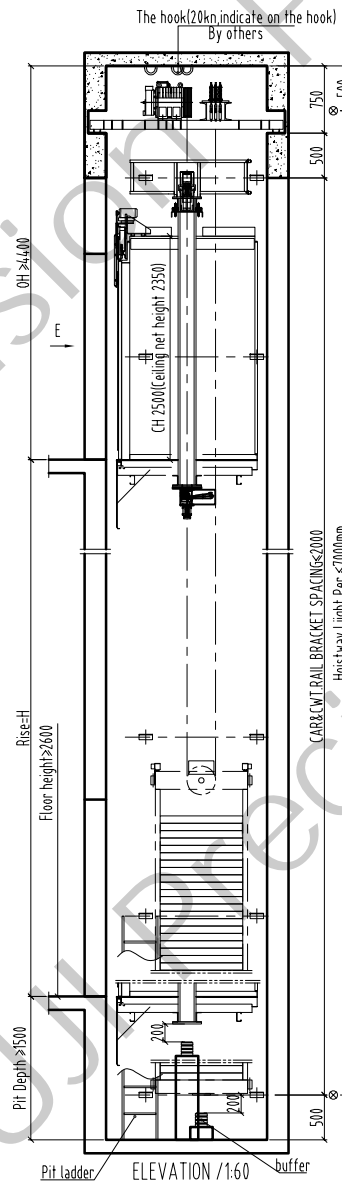
Please ensure the verticality of the hoistway.



Hoistway plan/1:60



Pit plan/1:60



| | |
|-------|---------|
| OH | >=4.400 |
| Rise | H |
| 26 F | |
| 25 F | |
| 24 F | |
| 23 F | |
| 22 F | |
| 21 F | |
| 20 F | |
| 19 F | |
| 18 F | |
| 17 F | |
| 16 F | |
| 15 F | |
| 14 F | |
| 13 F | |
| 12 F | |
| 11 F | |
| 10 F | |
| 9 F | |
| 8 F | |
| 7 F | |
| 6 F | |
| 5 F | |
| 4 F | |
| 3 F | |
| 2 F | |
| 1 F | |
| G F | |
| B F | |
| Pit | >=1500 |
| Floor | Height |

| | | | |
|-------------------|--------------|----------|--|
| Drawing | | approver | |
| Drawing No. | FTKW 450-01- | | |
| manufacturing no. | | | |
| Project name | G. | | |
| FUJI PRECISION | | | |