

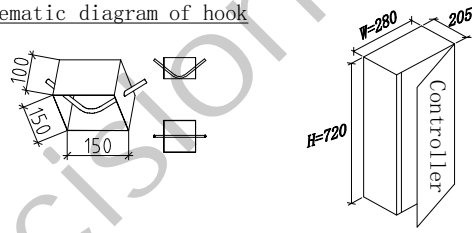
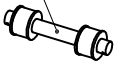
MRL Home elevator		
Hoistway Structure		
Concrete	Brick & Concrete	Other

Steel belt traction

Control cabinet size

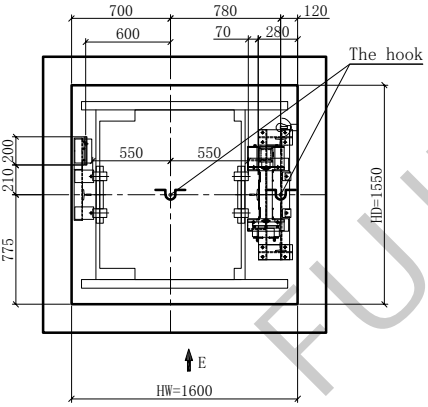
Schematic diagram of hook

Before installation, make sure that the steel belt wheels are level.

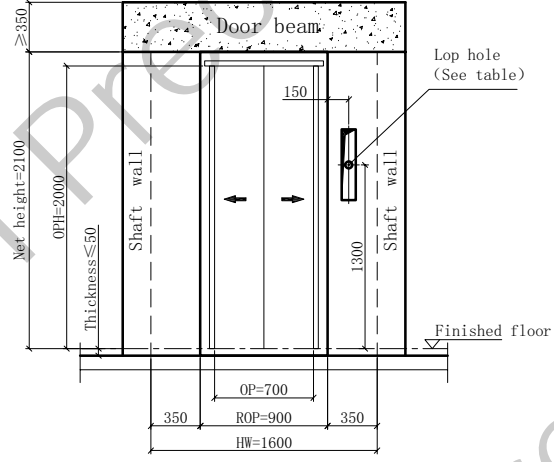


NOTE			
HW	HOISTWAY WIDTH	CW	CAR INSIDE WIDTH
HD	HOISTWAY DEPTH	CD	CAR INSIDE DEPTH
OP	DOOR OPENING WIDTH	CH	CAR HEIGHT
ROP	WALL OPENING WIDTH	OH	OVERHEAD HEIGHT
OPH	DOOR OPENING HEIGHT		
CAR DBG	DISTANCE BETWEEN CAR GUIDE RAILS		
CWT DBG	DISTANCE BETWEEN COUNTERWEIGHT GUIDE RAILS		

Technical Requirement			
type	TJJ 400 / 0.4		
F/P/D	/ /	Door type	Center open
load	400 kg	Speed	0.4 m/s
Machine		Roping	2:1
T/sheave	φ 100	D/sheave	φ
CAR sheave	φ 100	CW sheave	φ 100
Shaft	HW 1600 mm × HD 1550 mm		
Cabin	CW 1000 mm × CD 1200 mm		
Door	OP 700 mm × OPH 2000 mm		
Speed	0.4		(m/s)
Power	2.0		(KW)
OH	≥ 3000		(mm)
Pit	≥ 300		(mm)

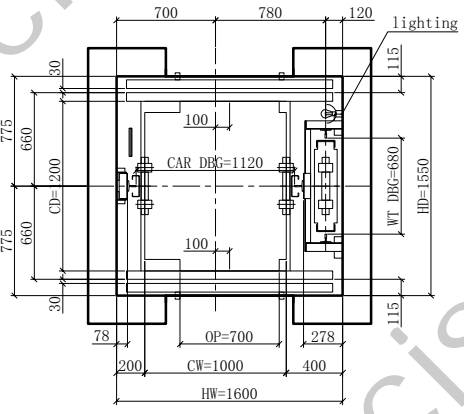


Overhead plan

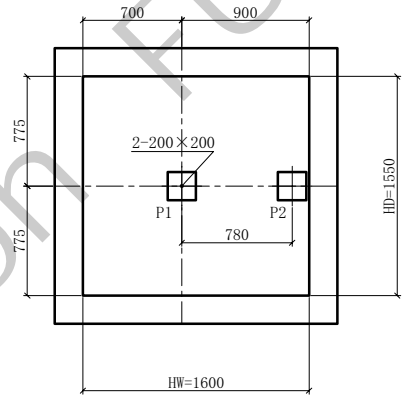


E direction Doorway schematic Facing Hoistway

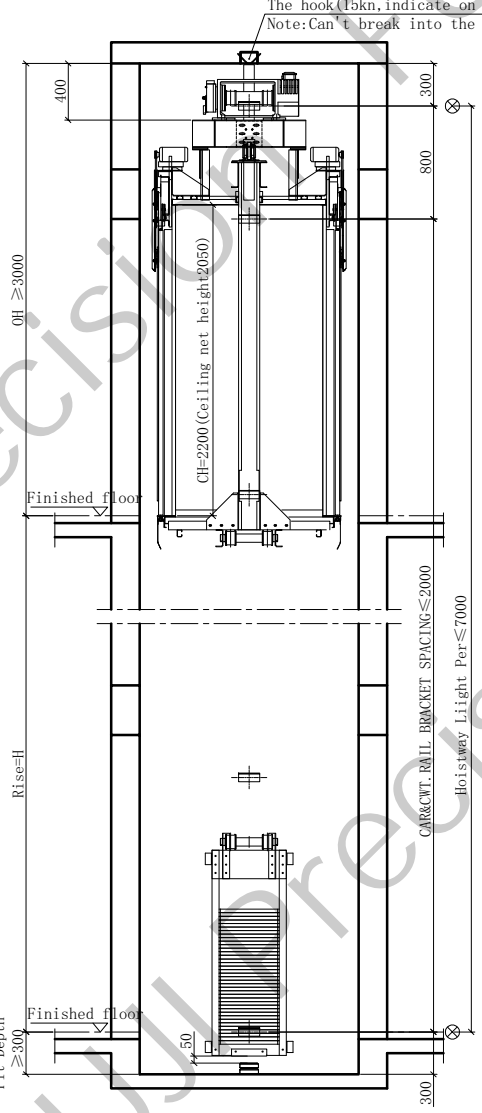
	base station	remaining stations
Bottom box Lop	100 Wx500 H	100 Wx400 H
No bottom box	φ50 hole	



Hoistway plan



Pit plan



OH	≥ 3000
Rise	H
5F	
4F	
3F	
2F	
1F	
-1F	
-2F	
-3F	
Pit	≥ 300

380V 3phase 5wire, 50Hz, fluctuation ±7%							
Support Force (N)							
R1	R2	R3	R4	P1	P2	P3	P4
				45000	34000		

The work that the owner and the construction party should complete

1. The construction and waterproofing of pit about the shaft and machine room;
2. The dynamic power from the receiving box, piping of lighting earth line project and including the main switch;
3. Reserved hole about each exists and machine room floor;
4. The filling and whitewash project after finishing the installation about elevators door frame;
5. Machine room door, ventilation, lighting and the cinder and concrete on the floor after finishing the construction;
6. Piping and wiring about the emergency call from machine room to management room;

Others:
In accordance with the providing of the building ordinance, it is not allowed to arrange water pipe, electricity pipe, wind pipe in the shaft that are in perspective with the elevator.

Drawing	Approver
Drawing No.	FT-J 400 -09-
Manufacturing no.	
Project name	

FUJI PRECISION