

MRL Freight Elevator

Hoistway Structure

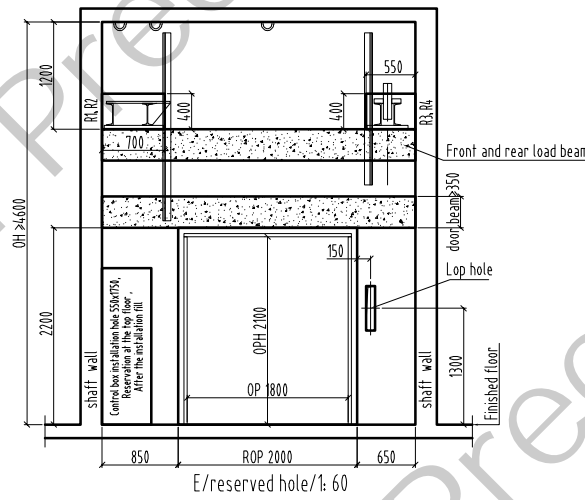
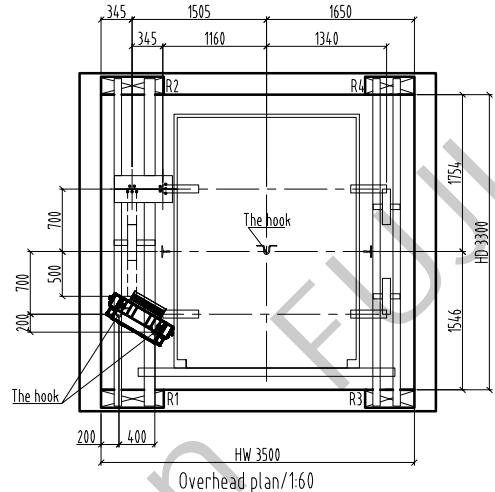
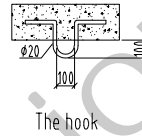
Concrete Brick & Concrete Other

Unstandard Standard

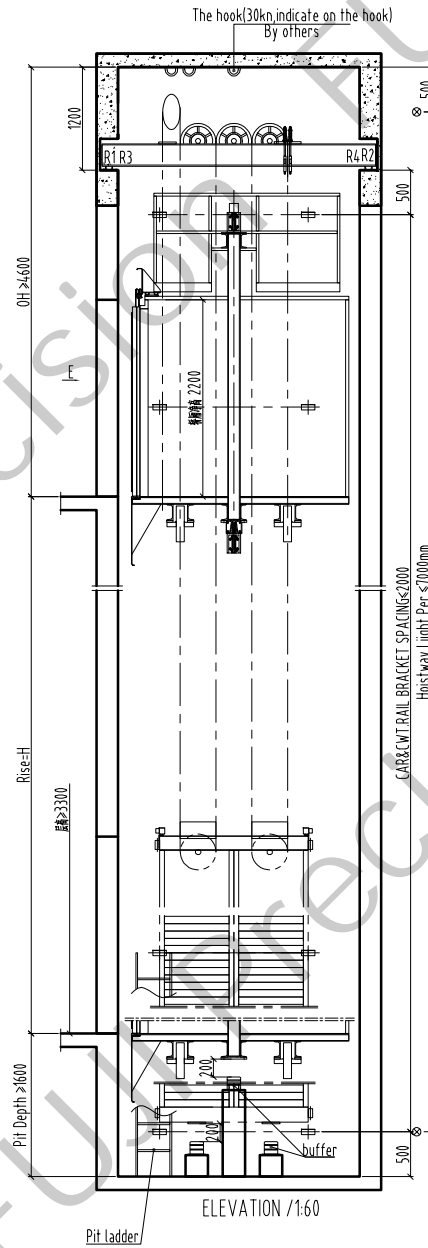
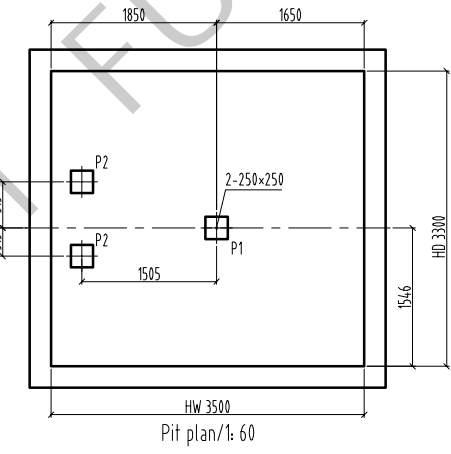
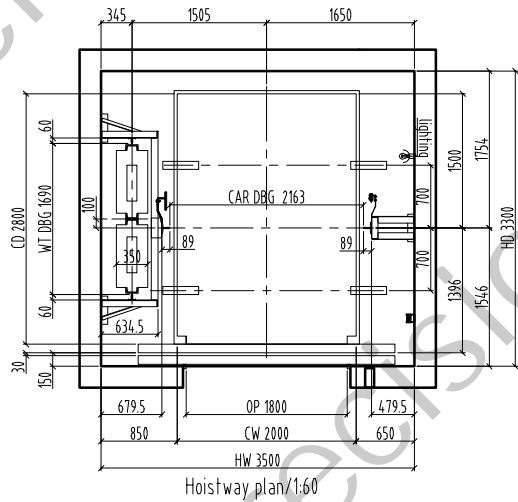
NOTE

Technical Requirement:

| | | | | | | | | | |
|---------|--|-----|---------------------|------------|--------------------|---------------|----------------------------|-----|-----|
| HW | HOISTWAY WIDTH | CW | CAR INSIDE WIDTH | Type | THJW3000 / 0.5 -VF | | | | |
| HD | HOISTWAY DEPTH | CD | CAR INSIDE DEPTH | F/P/D | / / | Door type | Four Panels Centre Opening | | |
| OP | DOOR OPENING WIDTH | CH | CAR HEIGHT | load | 3000 | kg | speed | 0.5 | m/s |
| ROP | WALL OPENING WIDTH | MRW | MACHINE ROOM WIDTH | Machine | MCK200 | Roping | 4:1 | | |
| OPH | DOOR OPENING HEIGHT | MRD | MACHINE ROOM DEPTH | T/sheave | φ 4.00 | D/sheave | φ 4.00 | | |
| OH | OVERHEAD HEIGHT | MRH | MACHINE ROOM HEIGHT | car sheave | φ 4.00 | CW sheave | φ 4.00 | | |
| CAR DBG | DISTANCE BETWEEN CAR GUIDE RAILS | | | Shaft | HW 3500 | mm x HD 3300 | mm | | |
| CWT DBG | DISTANCE BETWEEN COUNTERWEIGHT GUIDE RAILS | | | Cabin | CW 2000 | mm x CD 2800 | mm | | |
| | | | | Door | OP 1800 | mm x OPH 2100 | mm | | |



Bottom box Lop: 100x500 (base station) 100x400 (remaining stations)
No bottom box Lop hole: φ50 hole



| | |
|-------|--------|
| OH | ≥4600 |
| Rise | H |
| 10 F | |
| 9 F | |
| 8 F | |
| 7 F | |
| 6 F | |
| 5 F | |
| 4 F | |
| 3 F | |
| 2 F | |
| 1 F | |
| GF | |
| B F | |
| Pit | ≥1600 |
| Floor | Height |

| | |
|-------------------|---------------|
| Drawing | approver |
| Drawing No. | FTHW 3000-04- |
| manufacturing no. | |
| Project name | |

FUJI PRECISION