

MRL Passenger Elevator

Hoistway Structure

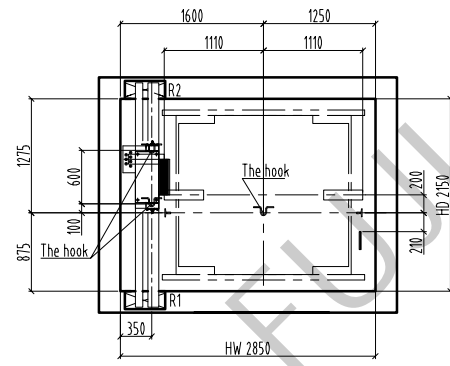
Concrete Brick & Concrete Other

Unstandard Standard

NOTE

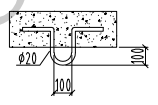
Technical Requirement:

HW	HOISTWAY WIDTH	CW	CAR INSIDE WIDTH	Type	TKJW 1350 / 1.0 -VF		
HD	HOISTWAY DEPTH	CD	CAR INSIDE DEPTH	F/P/D	/ /	Door type	Center open
OP	DOOR OPENING WIDTH	CH	CAR HEIGHT	load	1350	kg	speed 1.0 m/s
ROP	WALL OPENING WIDTH	MRW	MACHINE ROOM WIDTH	Machine	MCK300	Roping	2:1
OPH	DOOR OPENING HEIGHT	MRD	MACHINE ROOM DEPTH	T/sheave	φ 400	D/sheave	φ
OH	OVERHEAD HEIGHT	MRH	MACHINE ROOM HEIGHT	car sheave	φ 4.400	CW sheave	φ 400
CAR DBG	DISTANCE BETWEEN CAR GUIDE RAILS			Shaft	HW	#### mm x HD	####mm
CWT DBG	DISTANCE BETWEEN COUNTERWEIGHT GUIDE RAILS			Cabin	CW	####mm x CD	####mm
				Door	OP	1100 mm x OPH	2100 mm

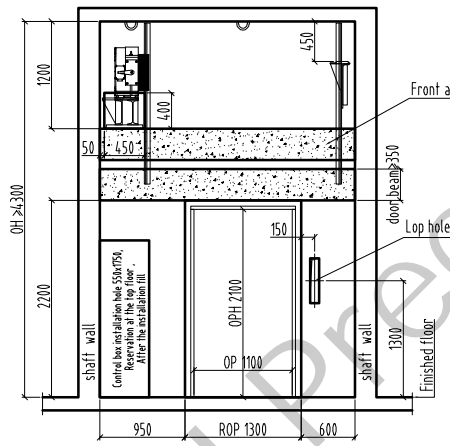


Overhead plan/1:60

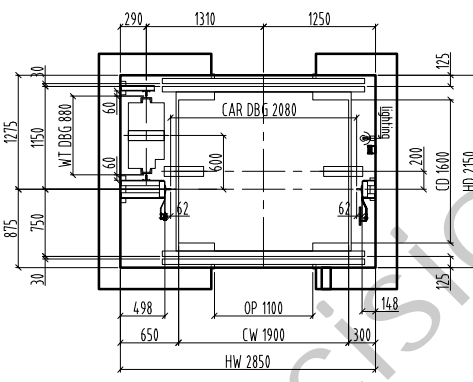
E ↑



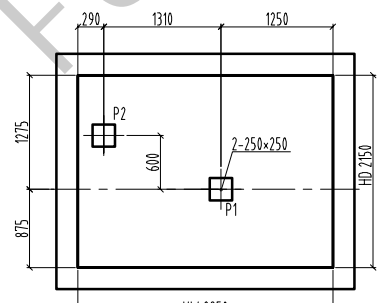
The hook



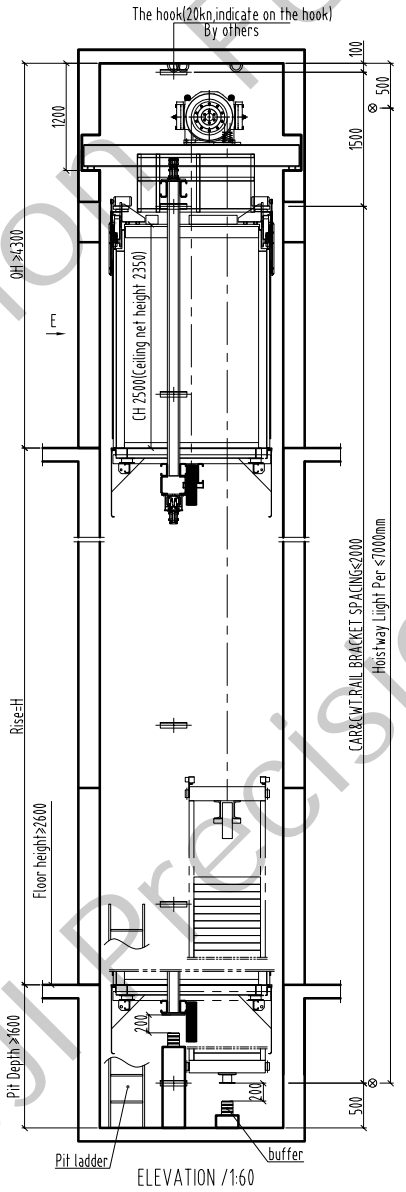
Bottom box Lop: 100x500 (base station) 100x400 (remaining stations)
No bottom box Lop hole: φ50 hole



Hoistway plan/1:60



Pit plan/1: 60



OH	≥4300
Rise	H

26 F	
25 F	
24 F	
23 F	
22 F	
21 F	
20 F	
19 F	
18 F	
17 F	
16 F	
15 F	
14 F	
13 F	
12 F	
11 F	
10 F	
9 F	
8 F	
7 F	
6 F	
5 F	
4 F	
3 F	
2 F	
1 F	
G F	
B F	
Pit	≥1600
Floor	Height

Drawing No. FTKW 1350 -04

Project name

FUJI PRECISION

Drawing

approver

manufacturing no.

G F

B F

1 F

2 F

3 F

4 F

5 F

6 F

7 F

8 F

9 F

10 F

11 F

12 F

13 F

14 F

15 F

16 F

17 F

18 F

19 F

20 F

21 F

22 F

23 F

24 F

25 F

26 F