

MRL Sightseeing Elevator

Hoistway Structure

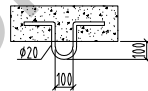
Concrete Brick & Concrete Other

Unstandard Standard

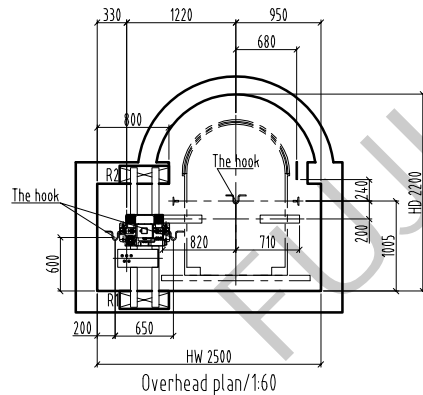
NOTE

Technical Requirement:

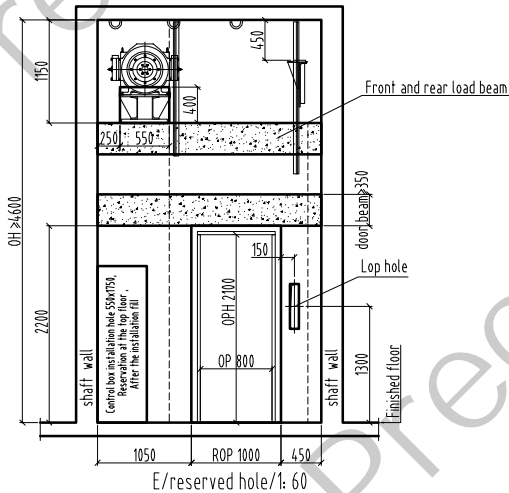
| | | | | | | | |
|---------|--|-----|---------------------|------------|--------------------|--------------|-------------|
| HW | HOISTWAY WIDTH | CW | CAR INSIDE WIDTH | Type | TKJW 630 / 1.0 -VF | | |
| HD | HOISTWAY DEPTH | CD | CAR INSIDE DEPTH | F/P/D | / / | Door type | Center open |
| OP | DOOR OPENING WIDTH | CH | CAR HEIGHT | load | 630 kg | speed | 1.0 m/s |
| ROP | WALL OPENING WIDTH | MRW | MACHINE ROOM WIDTH | Machine | MCK200 | Roping | 2 : 1 |
| OPH | DOOR OPENING HEIGHT | MRD | MACHINE ROOM DEPTH | T/sheave | φ 4.00 | D/sheave | φ |
| OH | OVERHEAD HEIGHT | MRH | MACHINE ROOM HEIGHT | car sheave | φ 4.4.0 | CW sheave | φ 4.4.0 |
| CAR DBG | DISTANCE BETWEEN CAR GUIDE RAILS | | | Shaft | HW | ###mm x HD | ###mm |
| CWT DBG | DISTANCE BETWEEN COUNTERWEIGHT GUIDE RAILS | | | Cabin | CW | ###mm x CD | ###mm |
| | | | | Door | OP | 800 mm x OPH | 2100 mm |



The hook

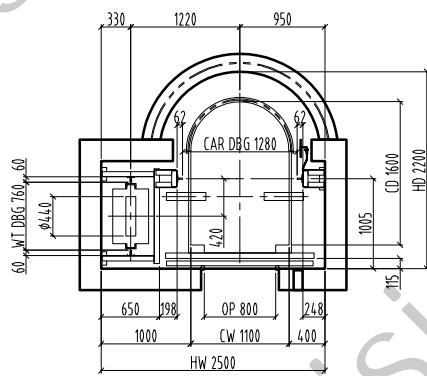


Overhead plan/1:60

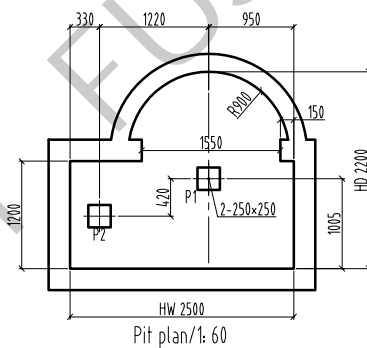


E/reserved hole/1: 60

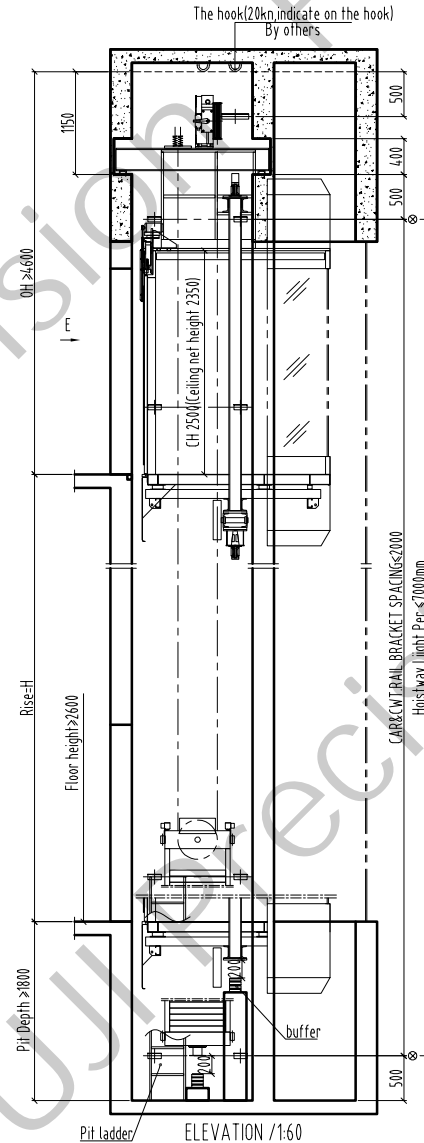
Bottom box Lop: 100x500 (base station) 100x400 (remaining stations)
No bottom box Lop hole: φ50 hole



Hoistway plan/1:60



Pit plan/1: 60



ELEVATION /1:60

| | |
|-------|--------|
| OH | ≥4600 |
| Rise | H |
| 26 F | |
| 25 F | |
| 24 F | |
| 23 F | |
| 22 F | |
| 21 F | |
| 20 F | |
| 19 F | |
| 18 F | |
| 17 F | |
| 16 F | |
| 15 F | |
| 14 F | |
| 13 F | |
| 12 F | |
| 11 F | |
| 10 F | |
| 9 F | |
| 8 F | |
| 7 F | |
| 6 F | |
| 5 F | |
| 4 F | |
| 3 F | |
| 2 F | |
| 1 F | |
| G F | |
| B F | |
| Pit | ≥1800 |
| Floor | Height |

| | |
|-------------------|---------------|
| Drawing | approver |
| Drawing No. | FTKW 630 -01- |
| manufacturing no. | |
| Project name | |

FUJI PRECISION