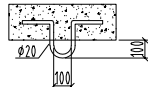


# MRL Passenger Elevator

## Hoistway Structure

Concrete  Brick & Concrete  Other

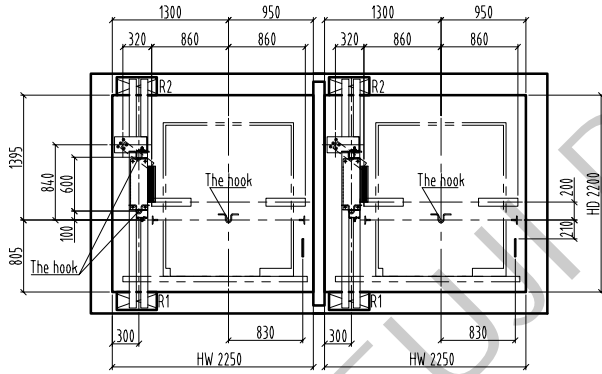


The hook

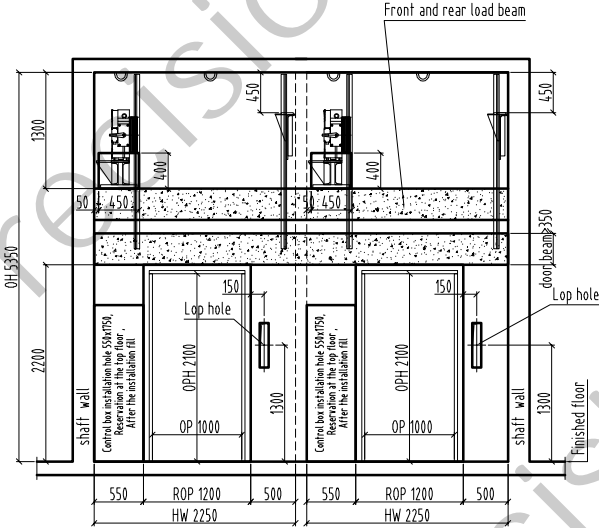
Unstandard  Standard

### NOTE

				Technical Requirement:		
HW	HOISTWAY WIDTH	CW	CAR INSIDE WIDTH	Type	TKJW 1000 / 1.75-VF	
HD	HOISTWAY DEPTH	CD	CAR INSIDE DEPTH	F/P/D	11 / 11 / 11	Door type Center open
OP	DOOR OPENING WIDTH	CH	CAR HEIGHT	load	1000 kg	speed 1.75 m/s
ROP	WALL OPENING WIDTH	MRW	MACHINE ROOM WIDTH	Machine	MCK200	Roping 2:1
OPH	DOOR OPENING HEIGHT	MRO	MACHINE ROOM DEPTH	T/sheave	φ 4.00	D/sheave φ
OH	OVERHEAD HEIGHT	MRF	MACHINE ROOM HEIGHT	car sheave	φ 4.4.0	CW sheave φ 4.00
CAR DBG	DISTANCE BETWEEN CAR GUIDE RAILS		Shaft	HW	2250 mm x HD	2200mm
CWT DBG	DISTANCE BETWEEN COUNTERWEIGHT GUIDE RAILS		Cabin	CW	1400 mm x CD	1600mm
			Door	OP	1000 mm x OPH	2100mm

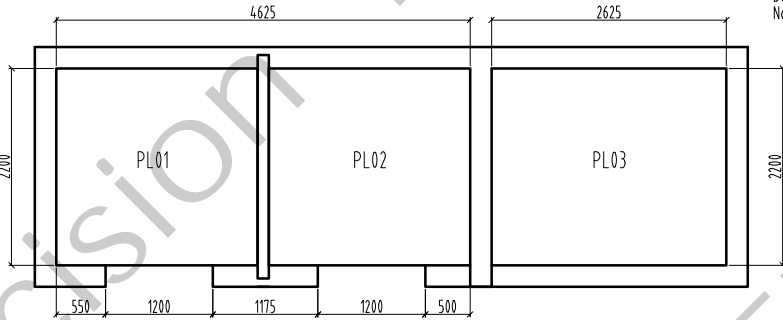


Overhead plan/1:60

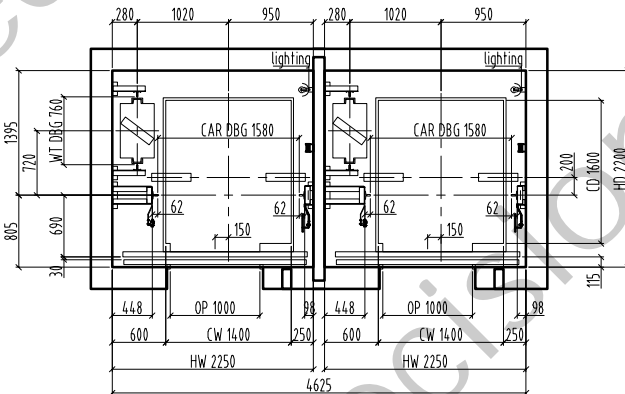


E/reserved hole/1: 60

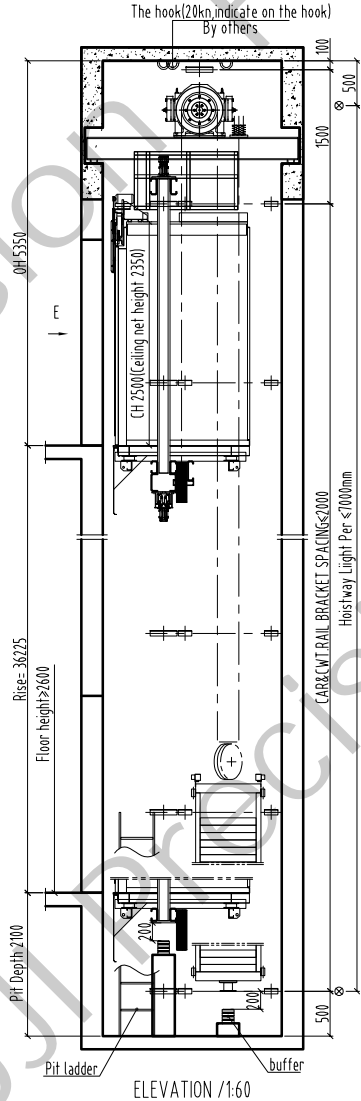
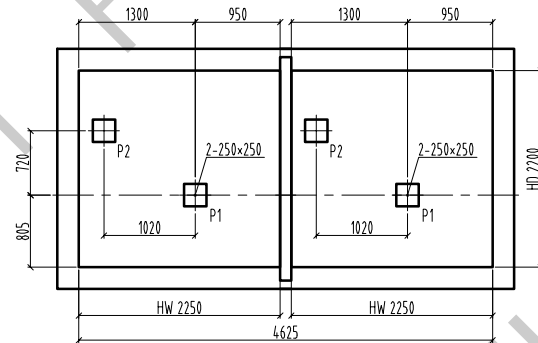
Bottom box Lop: 100x500 (base station) 100x400 (remaining stations)  
No bottom box Lop hole: φ50 hole



Pit plan/1: 60



Hoistway plan/1:60



ELEVATION /1:60

OH	5350
Rise	36225
26 F	
25 F	
24 F	
23 F	
22 F	
21 F	
20 F	
19 F	
18 F	
17 F	
16 F	
15 F	
14 F	
13 F	
12 F	
11 F	
10 F	OH
9 F	3500
8 F	3500
7 F	3500
6 F	3500
5 F	3500
4 F	3500
3 F	3500
2 F	3500
1 F	3500
G F	4725
B F	
Pit	2100
Floor	Height

Rise-36225  
 Floor height  $\geq 600$   
 CAR&WT RAIL BRACKET SPACINGS  $\leq 2000$   
 Hoistway Light Per  $\leq 1000$ mm

1. Power supply: machine room need equiped with power supply. Power supply box need be locked. Power supply should be 3P.5 wires, 380V 50Hz. Voltage tolerance  $\pm 7\%$ , input power more than 50% of motor power, also equiped with air switch same capacity with power supply, also allow the supplement leakage protector. When use VVVF, need use special leakage switch. Ground resistor should be  $< 4\Omega$ . It should use insulated conductor from floor to machine room. Keep separate for null wire and ground wire.  
 2. Shaft requirement, it should be only for lift, can not install non-related device (pipe, cable, etc), and should keep the person entrance into. The shaft plan size mean the mm size measured by plumb line, tolerance  $\pm 50$ mm. Basically not allow the protruding beam and column. The proof pressure of shaft side should be  $\geq 24$ MPa. Recommend to use full concrete, can not use the reserved steel. In case use solid brick, it should use reserved steel or make the ring beam on the surface of reserved steel, height  $\geq 300$ mm. If use hollow brick, can choose C25 concrete fill into the wall, also make the ring beam on the surface of reserved steel, height  $\geq 300$ mm. If the shaft front wall is brick construction, it should make the concrete beam upsid of door hole to fix the landing door bracket, height  $\geq 300$ mm. If have the requirement in the drawing, it should make the concrete in the entrance of hall door. It should equiped with lamp, brightness  $\geq 50$ lx, install the lamp at 0.5m from the top and the bottom, in the middle, each lamp at  $\leq 1$ m. The buffer block should be made accompany with special person. Before that, need make the reserved  $\geq 4$  pcs joint bar  $\geq \phi 12$ mm, height  $\geq 50$ mm from the pit floor, and should water proof. Keep the space for person entrance. Pit ladder is by user. Should installed it in a suitable place. If there have basement downside of the pit should make the buffer block extend to the solid floor downside. If the floor distance between 2 floor  $> 1$ m, should set the safe door with the width 350mm, height 1800mm.  
 3. Machine room requirement (not for MRL). It had the passageway for the traction machine. keep the entrance unblocked. the door opens outward, also can be locked.  
 Installed the fan, keep the humidity  $< 85\%$ , temperature  $+5\sim -0\text{C}$ , surrounding the reserved hole should make the 50mm hole, keep the floor plan, also bear the load  $700\text{kg/m}^2$ .  
 The motor beam should be supported in the concrete block, this concrete block should extend to the building beam or bearing wall. Bearing side should make the reserved same side steel.  
 thickness 2mm, bearing side thickness should over the wall thickness 20mm, total thickness more than 75mm.  
 Standard wall 200mm, recommend the bearing wall thickness  $\geq 200$ mm.  
 The hook in the machine room should indicate the max. load. It should install the ladder and barrier in case have stair.

Drawing	approver
Drawing No.	FTKW 1000-02-
manufacturing no.	
Project name	